

## Intara SQ 175

Article number: 51160102

### LIGHT TECHNOLOGY

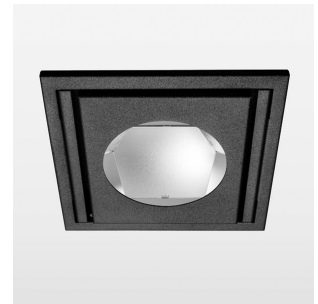
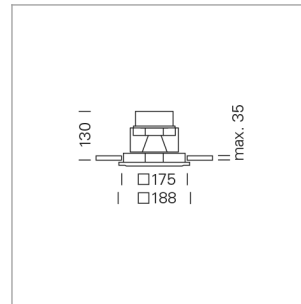
LED	COB
Light colour	SpecialMeat
Luminous flux	2260 lm
System power	41 W
Luminaire Efficiency	55 lm/W
Reflector	OvalBasic
Beam angle	60° x 30°
Controller	On/Off

### LUMINAIRE

Swivel angle	30°
Weight	1.9 kg
Protection rating . class	IP 20 . III
Luminaire colour	black

### OPTIONAL

RAL-colours, NCS-colours (powder coating or wet spraying) on inquiry, surface alloys on inquiry, honeycomb louver

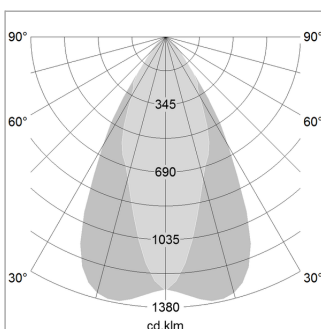


Recessed luminaire with LED, rated life of the LED L80/B10 > 50000 h, colour rendering index CRI > 82, chromaticity tolerance 2 SDCM (initial), reflector with oval light distribution pattern, swivel angle 30° luminaire housing sheet steel, powder-coated, black, separate driver unit

76500037 driver unit, On/Off, 220-240 V / 50-60 Hz, 1050 mA, camera-compatible, up to 2.5 KV interference resistance, SELV, max. 22 luminaires per circuit (B16A fuse)

76500042 driver unit, DALI, 220-240 V / 50-60 Hz, 1050 mA, with GST18/5-pin connector, incl. 5-conductor feed-through wiring, camera-compatible, up to 2.5 KV interference resistance, SELV, max. 22 luminaires per circuit (B16A fuse)

Note: All data are typical values. System features may change with product improvements due to technical advances. Errors excepted.



Height (m)	Beam Diameter (m)	Beam Diameter (ft)	Beam Area (lx)
1.0 m	1.05	0.41	3519.2
2.0 m	2.10	0.82	879.8
3.0 m	3.15	1.22	391.0
4.0 m	4.20	1.63	219.9
5.0 m	5.25	2.04	140.8

Ø (m) E0(0°) [lx]

