

## Ontero IC

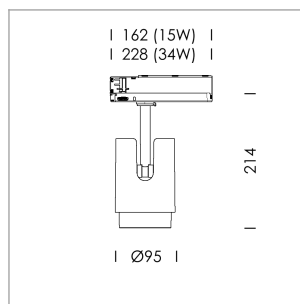
Article number: 21800117

### LIGHT TECHNOLOGY

|                      |           |
|----------------------|-----------|
| LED                  | COB       |
| Light colour         | Meat&Fish |
| Luminous flux        | 2470 lm   |
| System power         | 41 W      |
| Luminaire Efficiency | 60 lm/W   |
| Reflector            | Spot      |
| Beam angle           | 20°       |
| Controller           | On/Off    |

### LUMINAIRE

|                           |            |
|---------------------------|------------|
| Rotation angle            | 330°       |
| Swivel angle              | +/- 90°    |
| Weight                    | 1.1 kg     |
| Protection rating . class | IP 20 . II |
| Luminaire colour          | white      |



Surface-mounted luminaire with LED, rated life of the LED L80/B10 50000 h (ambient 25°C), colour rendering index CRI > 70, chromaticity tolerance 2 SDCM (initial), 3D silicone lens to reduce the proportion of scattered light, rotation-symmetrical reflector with circular light distribution pattern, reflector pure aluminium 99,99% in MIRO-Silver®, luminaire head/retention arm die-cast aluminium,, white, rotation angle 330°, swivel angle +/- 90°, In-Track-Adapter (OT), DALI 2, 220-240 V~ / 50-60 Hz, max. 27 luminaires per circuit (B16A fuse)

Note: All data are typical values. System features may change with product improvements due to technical advances. Errors excepted.

