

## Ontero XR DH

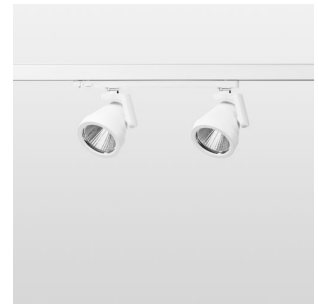
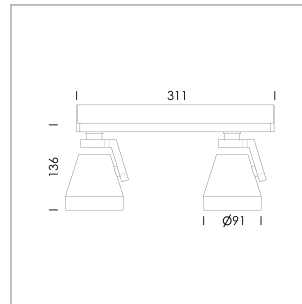
Article number: 21750014

### LIGHT TECHNOLOGY

|                      |          |
|----------------------|----------|
| LED                  | COB      |
| Light colour         | 830      |
| Luminous flux        | 3860 lm  |
| System power         | 34 W     |
| Luminaire Efficiency | 114 lm/W |
| Reflector            | Spot     |
| Beam angle           | 15°      |
| Controller           | On/Off   |

### LUMINAIRE

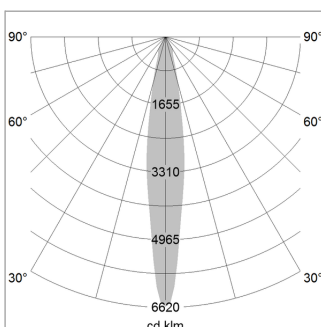
|                           |            |
|---------------------------|------------|
| Rotation angle            | 330°       |
| Swivel angle              | +/-85°     |
| Weight                    | 1.02 kg    |
| Protection rating . class | IP 20 . II |
| Luminaire colour          | white      |



Surface-mounted luminaire with two luminaires heads mit LED, rated life of the LED L80/B10 > 50000 h, colour rendering index CRI > 80, chromaticity tolerance 2 SDCM (initial), rotation-symmetrical reflector with circular light distribution pattern, reflector pure aluminium 99,99% in MIRO-Silver®, luminaire head/retention arm die-cast aluminium, white, rotation angle 330°, swivel angle +/-85°, In-Track-Adapter, On/Off, 220-240 V~ / 50-60 Hz, max. 27 luminaires per circuit (B16A fuse)

In-Track-Adapter 220-240 V~ / 50-60 Hz

Note: All data are typical values. System features may change with product improvements due to technical advances. Errors excepted.



| Distance (m) | Beam Diameter (m) | Illuminance E0(0°) [lx] |
|--------------|-------------------|-------------------------|
| 1.0 m        | 0.28              | 12741.4                 |
| 2.0 m        | 0.56              | 3185.4                  |
| 3.0 m        | 0.84              | 1415.7                  |
| 4.0 m        | 1.12              | 796.3                   |
| 5.0 m        | 1.40              | 509.7                   |

