

## Ontero XR DH

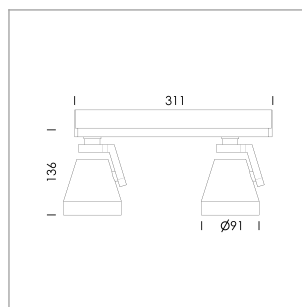
Article number: 21750018

### LIGHT TECHNOLOGY

LED	COB
Light colour	BeColor
Luminous flux	2580 lm
System power	34 W
Luminaire Efficiency	76 lm/W
Reflector	Spot
Beam angle	15°
Controller	On/Off

### LUMINAIRE

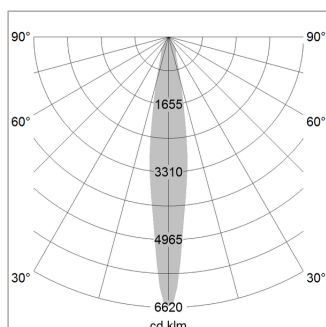
Rotation angle	330°
Swivel angle	+/-85°
Weight	1.02 kg
Protection rating . class	IP 20 . II
Luminaire colour	white



Surface-mounted luminaire with two luminaires heads mit LED, rated life of the LED L80/B10 > 50000 h, colour rendering index CRI > 96, chromaticity tolerance 2 SDCM (initial), rotation-symmetrical reflector with circular light distribution pattern, reflector pure aluminium 99,99% in MIRO-Silver®, luminaire head/retention arm die-cast aluminium, white, rotation angle 330°, swivel angle +/-85°, In-Track-Adapter, On/Off, 220-240 V~ / 50-60 Hz, max. 27 luminaires per circuit (B16A fuse)

In-Track-Adapter 220-240 V~ / 50-60 Hz

Note: All data are typical values. System features may change with product improvements due to technical advances. Errors excepted.



1.0 m	0.28	8516.3
2.0 m	0.56	2129.1
3.0 m	0.84	946.3
4.0 m	1.12	532.3
5.0 m	1.40	340.7
	Ø (m)	E0(0°) [lx]

