

BÄRO

Retail
Lighting

RECESSED LUMINAIRES

Intara RD 164
Intara SQ 174





Fresh, healthy, ecological, energy-efficient – our lifestyles and standards are changing. The range of products on offer is becoming more complex, guidance and trust more important. We are constantly searching for new types of lighting technology and are consistently developing new presentation options. For our customers. And our customers' customers.

Fresh Light *for* Fresh Products.



Flexible alignment.

INTARA RD 164 . INTARA SQ 174

Intara RD 164 and Intara SQ 174 combine innovative LED technology with a timeless design language and flexibility. A precise pivoting mechanism with a gimbal mounting enables simple and precise alignment of the light cone at all times.

Thanks to their compact dimensions the recessed luminaires also offer an ideal solution for quickly revitalising premises with efficient LED technology. The set supplied for through-wiring reduces installation times to a minimum. Bushings that are available separately enable easy replacement of luminaires, even with larger ceiling cutouts.

Intara RD 164

pivoted and adjustable

| COLOUR CODE | 927 | 830 | 835 | 840 |
|------------------------------|-------|-------|-------|-------|
| Luminaire luminous flux [lm] | 2,210 | 3,020 | 3,050 | 3,120 |
| System wattage [W] | 23 | 23 | 23 | 23 |

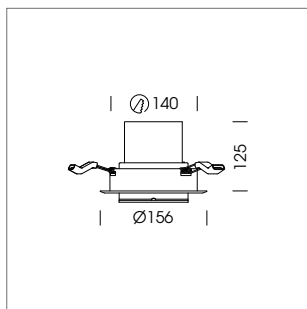
| COLOUR SPECTRUM | PearlWhite |
|------------------------------|------------|
| Luminaire luminous flux [lm] | 2,390 |
| System wattage [W] | 23 |

The smallest available system wattages and the resulting luminaire luminous fluxes for Spot and Flood reflectors are specified.

All data are typical values. System features may change with product improvements due to technical advances.



Recessed luminaire with integrated LED lighting head, passive cooling, rated lamp lifetime of the LEDs L80/B10 > 50,000 h, colour rendering index (CRI) > 80, chromaticity point tolerance 2 SDCM (initial), reflector 99.98% pure aluminium, rotation-symmetrical reflector with circular light distribution pattern, glass cover, up to 2.5 KV interference resistance, luminaire housing sheet steel, cooling element made of aluminium, luminaire colour strato black, strato silver, strato white, powder-coated, pivoted and adjustable, driver unit (please order separately), 220-240 V / 50-60 Hz, SELV, optional DALI, dimming range 1-100% (DALI), including through-wiring set, max. 34 (24 DALI) luminaires per circuit (fuse B16A), protection rating IP 20, protection class III, weight 0.8 kg



Further information and light distribution curves can be found from page 12 onwards



Intara RD 164

gimbal-mounted

| COLOUR CODE | 927 | 830 | 835 | 840 |
|------------------------------|-------|-------|-------|-------|
| Luminaire luminous flux [lm] | 2,210 | 3,020 | 3,050 | 3,120 |
| System wattage [W] | 23 | 23 | 23 | 23 |

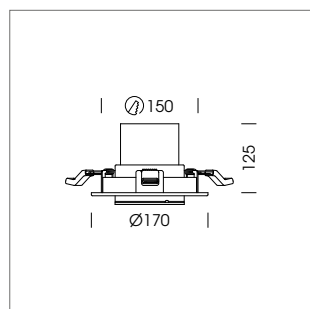
| COLOUR SPECTRUM | PearlWhite |
|------------------------------|------------|
| Luminaire luminous flux [lm] | 2,390 |
| System wattage [W] | 23 |

The smallest available system wattages and the resulting luminaire luminous fluxes for Spot and Flood reflectors are specified.

All data are typical values. System features may change with product improvements due to technical advances.



Recessed luminaire with integrated LED lighting head, passive cooling, rated lamp lifetime of the LEDs L80/B10 > 50,000 h, colour rendering index (CRI) > 80, chromaticity point tolerance 2 SDCM (initial), reflector 99.98% pure aluminium, rotation-symmetrical reflector with circular light distribution pattern, glass cover, up to 2.5 KV interference resistance, luminaire housing sheet steel, cooling element made of aluminium, luminaire colour strato black, strato silver, strato white, powder-coated, gimbal-mounted, driver unit (please order separately), 220-240 V / 50-60 Hz, SELV, optional DALI, dimming range 1-100% (DALI), including through-wiring set, max. 34 (24 DALI) luminaires per circuit (fuse B16A), protection rating IP 20, protection class III, weight 0.9 kg



Further information and light distribution curves can be found from page 12 onwards



Intara SQ 174

gimbal-mounted, single-lamp

| COLOUR CODE | 927 | 830 | 835 | 840 |
|------------------------------|-------|-------|-------|-------|
| Luminaire luminous flux [lm] | 2,210 | 3,020 | 3,050 | 3,120 |
| System wattage [W] | 23 | 23 | 23 | 23 |

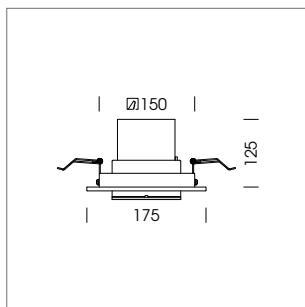
| COLOUR SPECTRUM | PearlWhite |
|------------------------------|------------|
| Luminaire luminous flux [lm] | 2,390 |
| System wattage [W] | 23 |

The smallest available system wattages and the resulting luminaire luminous fluxes for Spot and Flood reflectors are specified.

All data are typical values. System features may change with product improvements due to technical advances.



Recessed luminaire with integrated LED lighting head, passive cooling, rated lamp lifetime of the LEDs L80/B10 > 50,000 h, colour rendering index (CRI) > 80, chromaticity point tolerance 2 SDCM (initial), reflector 99.98% pure aluminium, rotation-symmetrical reflector with circular light distribution pattern, glass cover, up to 2.5 KV interference resistance, luminaire housing sheet steel, cooling element made of aluminium, luminaire colour strato black, strato silver, strato white, powder-coated, gimbal-mounted, driver unit (please order separately), 220-240 V / 50-60 Hz, SELV, optional DALI, dimming range 1-100% (DALI), including through-wiring set, max. 34 (24 DALI) luminaires per circuit (fuse B16A), protection rating IP 20, protection class III, weight 1.1 kg



Further information and light distribution curves can be found from page 12 onwards



Intara SQ 174

gimbal-mounted, two-lamp

| COLOUR CODE | 927 | 830 | 835 | 840 |
|------------------------------|-------|-------|-------|-------|
| Luminaire luminous flux [lm] | 2,210 | 3,020 | 3,050 | 3,120 |
| System wattage [W] | 23 | 23 | 23 | 23 |

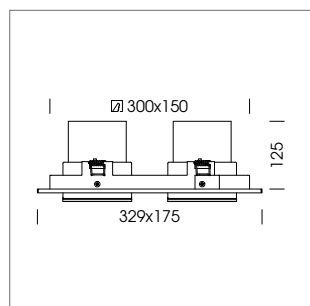
| COLOUR SPECTRUM | PearlWhite |
|------------------------------|------------|
| Luminaire luminous flux [lm] | 2,390 |
| System wattage [W] | 23 |

The smallest available system wattages and the resulting luminaire luminous fluxes for Spot and Flood reflectors are specified.

All data are typical values. System features may change with product improvements due to technical advances.



Recessed luminaire with integrated LED lighting head, passive cooling, rated lamp lifetime of the LEDs L80/B10 > 50,000 h, colour rendering index (CRI) > 80, chromaticity point tolerance 2 SDCM (initial), reflector 99.98% pure aluminium, rotation-symmetrical reflector with circular light distribution pattern, glass cover, up to 2.5 KV interference resistance, luminaire housing sheet steel, cooling element made of aluminium, luminaire colour strato black, strato silver, strato white, powder-coated, gimbal-mounted, driver unit (please order separately), 220-240 V / 50-60 Hz, SELV, optional DALI, dimming range 1-100% (DALI), including through-wiring set, max. 17 (12 DALI) luminaires per circuit (fuse B16A), protection rating IP 20, protection class III, weight 2.0 kg



Further information and light distribution curves can be found from page 12 onwards



Lighting technology

INTARA RD 164 . INTARA SQ 174

Depending on the application and the light planning requirements different lighting technologies can be chosen. Specially developed reflectors are extremely efficient in channelling light and have a very high level of efficiency. Beam characteristics with medium to wide rotation-symmetrical distribution of luminous intensity offer well-proven possibilities for accentuation or uniform illumination of presentation areas.

The LED modules are available with 3 power ratings and 5 different LED spectrums – 4 standard light colours and 1 special light colour, fine-tuned to the natural colours of all different kinds of applications. Camera-capable LED drivers are used.



927

Colour Code

The warm white LED spectrum of the standard light colour is ideal for illuminating goods and product types with warm colours and for creating a harmonious atmosphere. The very good colour rendering gives the surfaces a high-quality appearance and even the smallest colour nuances are clearly apparent.

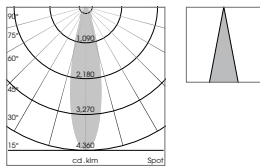
REFLECTOR

WATTAGES

23 W 34 W 41 W

SPOT

| | | | |
|------------------------------|-------|-------|-------|
| Luminaire luminous flux [lm] | 2,210 | 3,050 | 3,680 |
| Luminous efficacy [lm/W] | 96 | 90 | 90 |

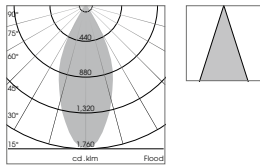


Illuminance [lx]

| | | | | |
|---|------|-------|--------|--------|
| 1 | 0.38 | 9,606 | 13,257 | 15,995 |
| 2 | 0.76 | 2,401 | 3,282 | 3,999 |
| 3 | 1.14 | 1,067 | 1,473 | 1,777 |
| 4 | 1.52 | 600 | 829 | 1,000 |
| 5 | 1.90 | 384 | 530 | 640 |

FLOOD

| | | | |
|------------------------------|-------|-------|-------|
| Luminaire luminous flux [lm] | 2,210 | 3,050 | 3,680 |
| Luminous efficacy [lm/W] | 96 | 90 | 90 |



Illuminance [lx]

| | | | | |
|---|------|-------|-------|-------|
| 1 | 0.53 | 5,630 | 7,770 | 9,375 |
| 2 | 1.06 | 1,408 | 1,943 | 2,344 |
| 3 | 1.59 | 626 | 863 | 1,042 |
| 4 | 2.12 | 352 | 486 | 586 |
| 5 | 2.65 | 225 | 311 | 375 |

830

Colour Code

The warm white LED spectrum of the standard light colour is primarily used for efficient lighting when consistent good colour rendering of the colours is desired for all objects illuminated.

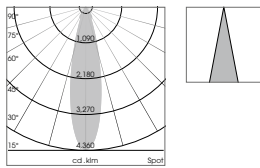
REFLECTOR

WATTAGES

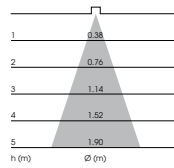
23 W 34 W 41 W

SPOT

| | | | |
|------------------------------|-------|-------|-------|
| Luminaire luminous flux [lm] | 3,020 | 4,150 | 5,020 |
| Luminous efficacy [lm/W] | 131 | 122 | 122 |



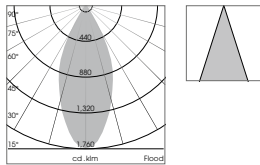
Illuminance [lx]



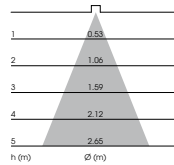
| | | |
|--------|--------|--------|
| 13,127 | 18,038 | 21,820 |
| 3,282 | 4,510 | 5,455 |
| 1,459 | 2,004 | 2,424 |
| 820 | 1,127 | 1,364 |
| 525 | 722 | 873 |

FLOOD

| | | | |
|------------------------------|-------|-------|-------|
| Luminaire luminous flux [lm] | 3,020 | 4,150 | 5,020 |
| Luminous efficacy [lm/W] | 131 | 122 | 122 |



Illuminance [lx]



| | | |
|-------|--------|--------|
| 7,694 | 10,573 | 12,789 |
| 1,923 | 2,643 | 3,197 |
| 855 | 1,175 | 1,421 |
| 481 | 661 | 799 |
| 308 | 423 | 512 |

Please refer to our data sheets at www.baero.com for further technical details on the individual luminaires. All data are typical values. System features may change with product improvements due to technical advances. Errors excepted.

835

Colour Code

The LED spectrum of the standard light colour is between neutral white and warm white and is suitable for use wherever the aim is to efficiently showcase products with an emphasis on their fresh colours or to create a corresponding spatial atmosphere.

REFLECTOR

WATTAGES

23 W

34 W

41 W

SPOT

Luminaire luminous flux [lm]

3,050

4,190

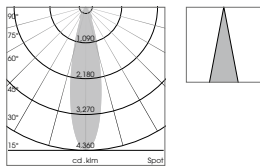
5,060

Luminous efficacy [lm/W]

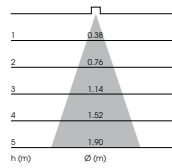
133

123

123



Illuminance [lx]



13,257

18,212

21,994

1

0.38

3,314

4,553

5,498

2

0.76

1,473

2,024

2,444

3

1.14

829

1,138

1,375

4

1.52

530

728

880

5

1.90

FLOOD

Luminaire luminous flux [lm]

3,050

4,190

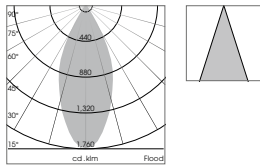
5,060

Luminous efficacy [lm/W]

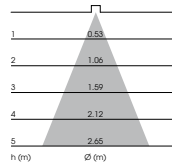
133

123

123



Illuminance [lx]



7,770

10,675

12,891

1

0.55

1,943

2,669

3,223

2

1.06

863

1,186

1,432

3

1.59

486

667

806

4

2.12

311

427

516

5

2.65

840

Colour Code

As a standard light colour the neutral white LED spectrum is suitable for the efficient illumination of clear body colours or to create a cooler spatial impression.

REFLECTOR

WATTAGES

23 W

34 W

41 W

SPOT

Luminaire luminous flux [lm]
Luminous efficacy [lm/W]

3,120

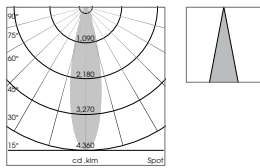
4,290

5,190

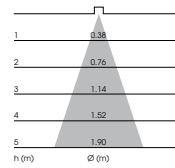
136

126

127



Illuminance [lx]



13,561

18,647

22,559

3,390

4,662

5,640

1,507

2,072

2,507

848

1,165

1,410

542

746

902

FLOOD

Luminaire luminous flux [lm]
Luminous efficacy [lm/W]

3,120

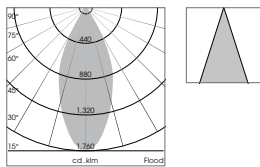
4,290

5,190

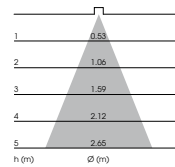
136

126

127



Illuminance [lx]



7,949

10,929

13,222

1,987

2,732

3,306

883

1,214

1,469

497

683

826

318

437

529

PearlWhite

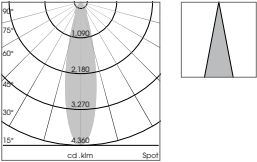
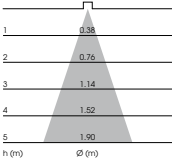
Colour Spectrum

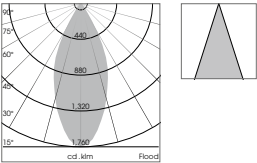
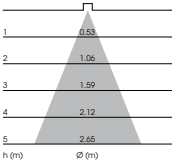
The LED spectrum of the special light colour is below black body. It has a colour-intensifying effect and creates an elegant atmosphere in the room. The correlated colour temperature is 3,100 K.

REFLECTOR

WATTAGES

23 W 34 W 41 W

| SPOT | | 23 W | 34 W | 41 W | |
|---|------------------------------|---|--------|--------|--------|
| | Luminaire luminous flux [lm] | 2,390 | 3,290 | 3,980 | |
| | Luminous efficacy [lm/W] | 104 | 97 | 97 | |
|  | Illuminance [lx] |  | 10,388 | 14,300 | 17,299 |
| | | | 2,597 | 3,575 | 4,325 |
| | | | 1,154 | 1,589 | 1,922 |
| | | | 649 | 894 | 1,081 |
| | | | 416 | 572 | 692 |

| FLOOD | | 23 W | 34 W | 41 W | |
|--|------------------------------|--|-------|-------|--------|
| | Luminaire luminous flux [lm] | 2,390 | 3,290 | 3,980 | |
| | Luminous efficacy [lm/W] | 104 | 97 | 97 | |
|  | Illuminance [lx] |  | 6,089 | 8,382 | 10,140 |
| | | | 1,522 | 2,095 | 2,535 |
| | | | 677 | 931 | 1,127 |
| | | | 381 | 524 | 634 |
| | | | 244 | 335 | 406 |

Please refer to our data sheets at www.baero.com for further technical details on the individual luminaires. All data are typical values. System features may change with product improvements due to technical advances. Errors excepted.

Intara RD 164 . Intara SQ 174

| LUMINAIRE | REFLECTOR | COLOUR | 927 | 830 | 835 | 840 | PEARLWHITE |
|-----------------------|-----------|--------|----------|----------|----------|----------|------------|
| Intara RD 164 p/a | Spot 20° | ■ | 50680004 | 50680001 | 50680002 | 50680003 | 50680006 |
| Intara RD 164 p/a | Spot 20° | ■ | 50680010 | 50680007 | 50680008 | 50680009 | 50680012 |
| Intara RD 164 p/a | Spot 20° | □ | 50680016 | 50680013 | 50680014 | 50680015 | 50680018 |
| Intara RD 164 p/a | Flood 30° | ■ | 50680022 | 50680019 | 50680020 | 50680021 | 50680024 |
| Intara RD 164 p/a | Flood 30° | ■ | 50680028 | 50680025 | 50680026 | 50680027 | 50680030 |
| Intara RD 164 p/a | Flood 30° | □ | 50680034 | 50680031 | 50680032 | 50680033 | 50680036 |
| Intara RD 164 gim.b. | Spot 20° | ■ | 50650004 | 50650001 | 50650002 | 50650003 | 50650006 |
| Intara RD 164 gim.b. | Spot 20° | ■ | 50650010 | 50650007 | 50650008 | 50650009 | 50650012 |
| Intara RD 164 gim.b. | Spot 20° | □ | 50650016 | 50650013 | 50650014 | 50650015 | 50650018 |
| Intara RD 164 gim.b. | Flood 30° | ■ | 50650022 | 50650019 | 50650020 | 50650021 | 50650024 |
| Intara RD 164 gim.b. | Flood 30° | ■ | 50650028 | 50650025 | 50650026 | 50650027 | 50650030 |
| Intara RD 164 gim.b. | Flood 30° | □ | 50650034 | 50650031 | 50650032 | 50650033 | 50650036 |
| Intara SQ 174 gim.b.1 | Spot 20° | ■ | 50660004 | 50660001 | 50660002 | 50660003 | 50660006 |
| Intara SQ 174 gim.b.1 | Spot 20° | ■ | 50660010 | 50660007 | 50660008 | 50660009 | 50660012 |
| Intara SQ 174 gim.b.1 | Spot 20° | □ | 50660016 | 50660013 | 50660014 | 50660015 | 50660018 |
| Intara SQ 174 gim.b.1 | Flood 30° | ■ | 50660022 | 50660019 | 50660020 | 50660021 | 50660024 |
| Intara SQ 174 gim.b.1 | Flood 30° | ■ | 50660028 | 50660025 | 50660026 | 50660027 | 50660030 |
| Intara SQ 174 gim.b.1 | Flood 30° | □ | 50660034 | 50660031 | 50660032 | 50660033 | 50660036 |
| Intara SQ 174 gim.b.2 | Spot 20° | ■ | 50670004 | 50670001 | 50670002 | 50670003 | 50670006 |
| Intara SQ 174 gim.b.2 | Spot 20° | ■ | 50670010 | 50670007 | 50670008 | 50670009 | 50670012 |
| Intara SQ 174 gim.b.2 | Spot 20° | □ | 50670016 | 50670013 | 50670014 | 50670015 | 50670018 |
| Intara SQ 174 gim.b.2 | Flood 30° | ■ | 50670022 | 50670019 | 50670020 | 50670021 | 50670024 |
| Intara SQ 174 gim.b.2 | Flood 30° | ■ | 50670028 | 50670025 | 50670026 | 50670027 | 50670030 |
| Intara SQ 174 gim.b.2 | Flood 30° | □ | 50670034 | 50670031 | 50670032 | 50670033 | 50670036 |

DRIVER UNIT

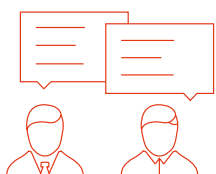
| | | |
|------------------|----------|--------------------|
| Constant current | 76500034 | 600 mA (23 Watt) |
| Constant current | 76500076 | 850 mA (34 Watt) |
| Constant current | 76500037 | 1.050 mA (41 Watt) |
| DALI | 76500039 | 600 mA (23 Watt) |
| DALI | 76500077 | 850 mA (34 Watt) |
| DALI | 76500042 | 1.050 mA (41 Watt) |

The driver units must be ordered separately.

Two driver units per luminaire must be ordered for the two-lamp Intara SQ 174.



BÄRO – Your lighting partner. Right from the start.



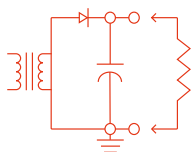
> ADVICE Discover the potential.

A fundamental aspect of our advice is to convey to all those involved in the project the huge potential and the many nuanced possibilities of expression offered by the medium light today thanks to LED technology. Talk to our lighting consultants and find out about the impact that BÄRO products can have in your store – not just in view of effectiveness and efficiency, but also and especially in terms of the emotionality of light.



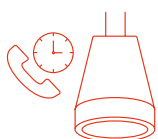
> PLANNING Light that suits you.

Light can be designed in many different qualities and dimensions. Sophisticated light planning not only supports the dramaturgy of the shopping experience; it also allows the lighting to be perfectly tailored to the different visual tasks and product groups. We are committed to finding a customised, expressive light balance for every concept – through the interplay of light distribution and light channelling, light intensities and light colours.



> INSTALLATION On site together.

Careful and professional installation is just as important as effective and creative lighting planning. BÄRO supports you in the installation and alignment of luminaires on site – so that your customised lighting concept rapidly takes shape and unforeseen issues are quickly resolved. In this way you can be sure that the lighting is perfectly focused on the room and the products.



> SUPPORT Long-term cooperation.

Our products boast long-lasting quality and functionality. Nonetheless, our service does not end when your lighting system is put into operation. BÄRO is available to answer your questions and provide services even after completion of the project.



> LEASING Efficient lighting. Financed effectively.

Customised financing for a customised lighting concept. Whether you are a retailer or a retail brand, we will be pleased to advise you on a leasing concept that suits your specific needs. Together we will draw up a contract that caters to your wishes and the needs of your company. Contact us. We're pleased to assist you.

> CONTACT

Tel.: +49 800 799 1000/e-mail: service@baero.com

BÄRO GmbH & Co. KG
Wolfstall 54-56
42799 Leichlingen

T +49 2174 799 0
F +49 2174 799 799
www.baero.com