

Intara CX

Article number: 51490007

LIGHT TECHNOLOGY

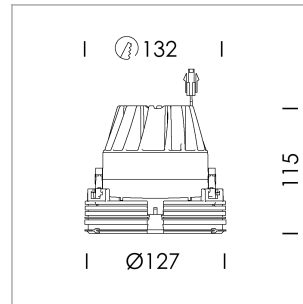
LED	LED
Light colour	Meat&Fish
Luminous flux	1640 lm
System power	34 W
Luminaire Efficiency	48 lm/W
Reflector	Downlight
Beam angle	60°
Controller	On/Off

LUMINAIRE

Weight	0.65 kg
Protection rating . class	IP 20 . III
Luminaire colour	black

OPTIONEEL

emergency light function for central supply, fire protection cover (up to 34 W)



Recessed downlight, flush with ceiling with LED, rated life of the LED L80/B10 > 50000 h, colour rendering index CRI > 70, chromaticity tolerance 2 SDCM (initial), reflector with homogeneous light distribution pattern, diffuser lens, translucent, darklight reflector, aluminium, metallised, highgloss, luminaire head die-cast aluminium, black anodized, Ceiling plaster die-cast aluminium, trim plastic injection molding, black, separate driver unit

76500076 driver unit, On/Off, 220-240 V / 50-60 Hz, 850 mA, camera-compatible, up to 2.5 KV interference resistance, SELV, max. 34 luminaires per circuit (B16A fuse)

76500077 driver unit, DALI, 220-240 V / 50-60 Hz, 850 mA, with GST18/5-pin connector, incl. 5-conductor feed-through wiring, camera-compatible, up to 2.5 KV interference resistance, SELV, max. 24 luminaires per circuit (B16A fuse)

76500123 driver unit, Casambi, 220-240 V / 50-60 Hz, 850 mA, camera-compatible, up to 2.5 KV interference resistance, SELV, max. 23 luminaires per circuit (B16A fuse)

Note: All data are typical values. System features may change with product improvements due to technical advances. Errors excepted.

