

Intara SQ 175

Article number: 51170012

LIGHT TECHNOLOGY

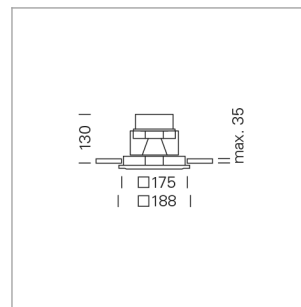
LED	COB
Light colour	840
Luminous flux	5150 lm
System power	41 W
Luminaire Efficiency	137 lm/W
Reflector	Spot
Beam angle	20°
Controller	On/Off

LUMINAIRE

Swivel angle	30°
Weight	1.9 kg
Protection rating . class	IP 20 . III
Luminaire colour	white

OPTIONEEL

RAL-colours, NCS-colours (powder coating or wet spraying) on inquiry, surface alloys on inquiry, honeycomb louver

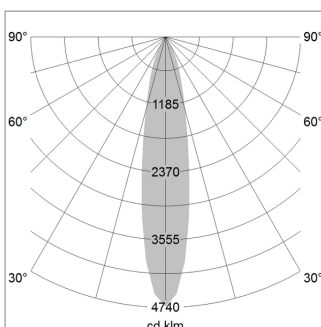


Recessed luminaire with LED, rated life of the LED L80/B10 > 50000 h, colour rendering index CRI > 80, chromaticity tolerance 2 SDCM (initial), reflector with circular light distribution pattern, swivel angle 30° luminaire housing sheet steel, powder-coated, white, separate driver unit

76500037 driver unit, On/Off, 220-240 V / 50-60 Hz, 1050 mA, camera-compatible, up to 2.5 KV interference resistance, SELV, max. 22 luminaires per circuit (B16A fuse)

76500042 driver unit, DALI, 220-240 V / 50-60 Hz, 1050 mA, with GST18/5-pin connector, incl. 5-conductor feed-through wiring, camera-compatible, up to 2.5 KV interference resistance, SELV, max. 22 luminaires per circuit (B16A fuse)

Note: All data are typical values. System features may change with product improvements due to technical advances. Errors excepted.



1.0 m	0.36	26556.8
2.0 m	0.72	6639.2
3.0 m	1.08	2950.8
4.0 m	1.44	1659.8
5.0 m	1.80	1062.3
Ø (m)		E0(0°) [lx]

