

Intara SQ 175

Article number: 51060004

LIGHT TECHNOLOGY

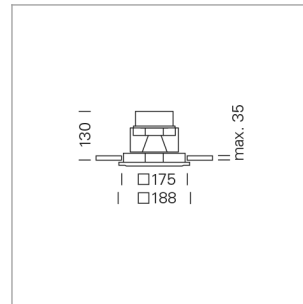
LED	COB
Light colour	840
Luminous flux	3290 lm
System power	23 W
Luminaire Efficiency	143 lm/W
Reflector	Flood
Beam angle	40°
Controller	On/Off

LUMINAIRE

Swivel angle	30°
Weight	1.9 kg
Protection rating . class	IP 20 . III
Luminaire colour	black

OPTIONEEL

RAL-colours, NCS-colours (powder coating or wet spraying) on inquiry, surface alloys on inquiry, honeycomb louver

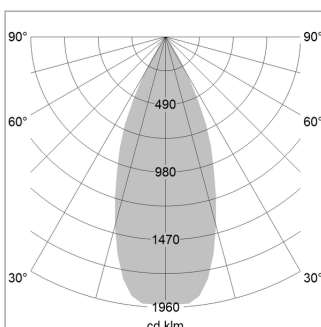


Recessed luminaire with LED, rated life of the LED L80/B10 > 50000 h, colour rendering index CRI > 80, chromaticity tolerance 2 SDCM (initial), reflector with circular light distribution pattern, reflector pure aluminium 99,99% in MIRO-Silver®, swivel angle 30° luminaire housing sheet steel, powder-coated, black, separate driver unit

76500034 driver unit, On/Off, 220-240 V / 50-60 Hz, 600 mA, camera-compatible, up to 2.5 KV interference resistance, SELV, max. 34 luminaires per circuit (B16A fuse)

76500039 driver unit, DALI, 220-240 V / 50-60 Hz, 600 mA, with GST18/5-pin connector, incl. 5-conductor feed-through wiring, camera-compatible, up to 2.5 KV interference resistance, SELV, max. 24 luminaires per circuit (B16A fuse)

Note: All data are typical values. System features may change with product improvements due to technical advances. Errors excepted.



Distance (m)	Beam Diameter (m)	Illuminance E0(0°) [lx]
1.0 m	0.73	6532.6
2.0 m	1.46	1633.2
3.0 m	2.19	725.8
4.0 m	2.92	408.3
5.0 m	3.65	261.3

