

Intara XR

Article number: 50900025

LIGHT TECHNOLOGY

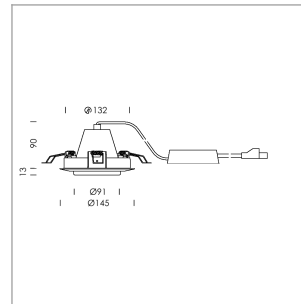
LED	COB
Light colour	840
Luminous flux	3050 lm
System power	23 W
Luminaire Efficiency	133 lm/W
Reflector	OvalBasic
Beam angle	60° x 40°
Controller	On/Off

LUMINAIRE

Swivel angle	+/- 25°
Weight	0.69 kg
Protection rating . class	IP 20 . II
Luminaire colour	black

OPTIONEEL

RAL-colours, NCS-colours (powder coating or wet spraying) on inquiry, surface alloys on inquiry, honeycomb louver



Recessed luminaire with LED, rated life of the LED L80/B10 50000 h (tambient 25°C), colour rendering index CRI > 80, chromaticity tolerance 2 SDCM (initial), reflector with oval light distribution pattern, reflector pure aluminium 99,99% in MIRO-Silver®, segmented, die-cast aluminium, powder-coated, rotation angle, swivel angle +/- 25°, black,

Inclusiv fix connected driver unit, 220-240 V~ / 50-60 Hz, max. 18 luminaires per circuit (B16A fuse)

Note: All data are typical values. System features may change with product improvements due to technical advances. Errors excepted.

