

Intara XR

Article number: 50700030

LIGHT TECHNOLOGY

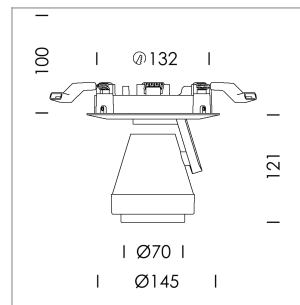
LED	COB
Light colour	BeCool
Luminous flux	3090 lm
System power	41 W
Luminaire Efficiency	75 lm/W
Reflector	Spot
Beam angle	20°
Controller	On/Off

LUMINAIRE

Rotation angle	400°
Swivel angle	+/- 85°
Weight	0.65 kg
Protection rating . class	IP 20 . II
Luminaire colour	white

OPTIONEEL

RAL-colours, NCS-colours (powder coating or wet spraying) on inquiry, surface alloys on inquiry, honeycomb louver

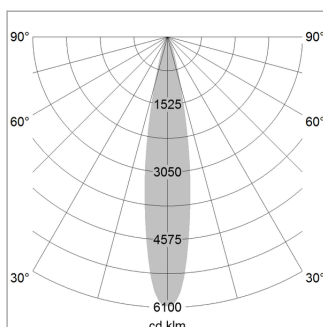


Semi-recessed luminaire with LED, rated life of the LED L80/B10 50000 h (tambient 25°C), colour rendering index CRI > 96, chromaticity tolerance 2 SDCM (initial), rotation-symmetrical reflector with circular light distribution pattern, reflector pure aluminium 99,99% in MIRO-Silver®, segmented and faceted, 3D lens silicon to reduce the proportion of scattered light, die-cast aluminium, powder-coated, rotation angle 400°, swivel angle +/- 85°, white, separate driver unit

76500037 driver unit, On/Off, 220-240 V / 50-60 Hz, 1050 mA, camera-compatible, up to 2.5 KV interference resistance, SELV, max. 22 luminaires per circuit (B16A fuse)

76500042 driver unit, DALI, 220-240 V / 50-60 Hz, 1050 mA, with GST18/5-pin connector, incl. 5-conductor feed-through wiring, camera-compatible, up to 2.5 KV interference resistance, SELV, max. 22 luminaires per circuit (B16A fuse)

Note: All data are typical values. System features may change with product improvements due to technical advances. Errors excepted.



1.0 m	0.34	18801.4
2.0 m	0.68	4700.4
3.0 m	1.02	2089.0
4.0 m	1.36	1175.1
5.0 m	1.70	752.1
	Ø (m)	E0(0°) [lx]

