

Ontero IC

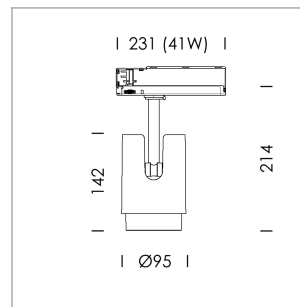
Article number: 21500143

LIGHT TECHNOLOGY

| | |
|----------------------|----------|
| LED | COB |
| Light colour | BeNature |
| Luminous flux | 1620 lm |
| System power | 41 W |
| Luminaire Efficiency | 40 lm/W |
| Reflector | Spot |
| Beam angle | 20° |
| Controller | On/Off |

LUMINAIRE

| | |
|---------------------------|------------|
| Rotation angle | 330° |
| Swivel angle | +/- 90° |
| Weight | 1.1 kg |
| Protection rating . class | IP 20 . II |
| Luminaire colour | silver |



Surface-mounted luminaire with LED, rated life of the LED L80/B10 50000 h (ambient 25°C), colour rendering index CRI > 95, chromaticity tolerance 2 SDCM (initial), 3D silicone lens to reduce the proportion of scattered light, rotation-symmetrical reflector with circular light distribution pattern, primary reflector and kick reflector 99% pure aluminium in MIRO-Silver®, luminaire head/retention arm die-cast aluminium, powder-coated, silver, rotation angle 330°, swivel angle +/- 90°, In-Track-Adapter, On/Off, 220-240 V~ / 50-60 Hz, max. 64 luminaires per circuit (B16A fuse)

Note: All data are typical values. System features may change with product improvements due to technical advances. Errors excepted.

