

## Ontero IC

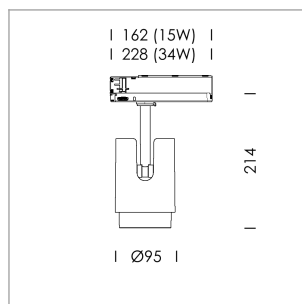
Article number: 21800079

### LIGHT TECHNOLOGY

LED	COB
Light colour	PearlWhite
Luminous flux	3210 lm
System power	34 W
Luminaire Efficiency	94 lm/W
Reflector	Spot
Beam angle	20°
Controller	On/Off

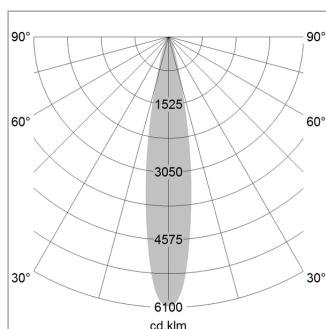
### LUMINAIRE

Rotation angle	330°
Swivel angle	+/- 90°
Weight	1.1 kg
Protection rating . class	IP 20 . II
Luminaire colour	silver



Surface-mounted luminaire with LED, rated life of the LED L80/B10 50000 h (ambient 25°C), colour rendering index CRI > 90, chromaticity tolerance 2 SDCM (initial), 3D silicone lens to reduce the proportion of scattered light, rotation-symmetrical reflector with circular light distribution pattern, reflector pure aluminium 99,99% in MIRO-Silver®, luminaire head/retention arm die-cast aluminium, silver, rotation angle 330°, swivel angle +/- 90°, In-Track-Adapter (OT), DALI 2, 220-240 V~ / 50-60 Hz, max. 27 luminaires per circuit (B16A fuse)

Note: All data are typical values. System features may change with product improvements due to technical advances. Errors excepted.



1.0 m	0.34	19531.6
2.0 m	0.68	4882.9
3.0 m	1.02	2170.2
4.0 m	1.36	1220.7
5.0 m	1.70	781.3
	Ø (m)	E0(0°) [lx]

