

Ontero ID

Article number: 20660091

LIGHT TECHNOLOGY

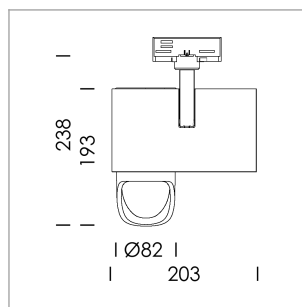
LED	LED
Light colour	PearlWhite
Luminous flux	3800 lm
System power	41 W
Luminaire Efficiency	93 lm/W
Reflector	WallBeam
Controller	On/Off

LUMINAIRE

Rotation angle	330°
Swivel angle	90°
Weight	1.3 kg
Protection rating . class	IP 20 . I
Luminaire colour	silver

OPTIONEEL

RAL-colours, NCS-colours (powder coating or wet spraying) on inquiry, surface alloys on inquiry, honeycomb louver



Surface-mounted luminaire with LED, rated life of the LED L80/B10 > 50000 h, colour rendering index CRI > 90, chromaticity tolerance 2 SDCM (initial), reflector with asymmetrical light distribution pattern, primary reflector and kick reflector 99% pure aluminium in MIRO-Silver®, attachment with kick reflector to the ceiling approach of the light cone, exchangeable reflector unit in high-sheen black plastic, with glass cover, luminaire head/retention arm die-cast aluminium, powder-coated, silver, rotation angle 330°, swivel angle 90°, Multiadapter, Power-Adapter, Poti, 220-240 V~ / 50-60 Hz, max. 22 luminaires per circuit (B16A fuse)

Note: All data are typical values. System features may change with product improvements due to technical advances. Errors excepted.

