

Ontero XR DH

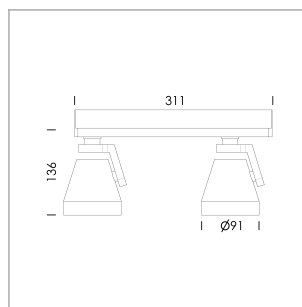
Article number: 21750016

LIGHT TECHNOLOGY

LED	COB
Light colour	840
Luminous flux	3980 lm
System power	34 W
Luminaire Efficiency	117 lm/W
Reflector	Spot
Beam angle	15°
Controller	On/Off

LUMINAIRE

Rotation angle	330°
Swivel angle	+/-85°
Weight	1.02 kg
Protection rating . class	IP 20 . II
Luminaire colour	white



Surface-mounted luminaire with two luminaires heads mit LED, rated life of the LED L80/B10 > 50000 h, colour rendering index CRI > 80, chromaticity tolerance 2 SDCM (initial), rotation-symmetrical reflector with circular light distribution pattern, reflector pure aluminium 99,99% in MIRO-Silver®, luminaire head/retention arm die-cast aluminium, white, rotation angle 330°, swivel angle +/-85°, In-Track-Adapter, On/Off, 220-240 V~ / 50-60 Hz, max. 27 luminaires per circuit (B16A fuse)

In-Track-Adapter 220-240 V~ / 50-60 Hz

Note: All data are typical values. System features may change with product improvements due to technical advances. Errors excepted.

