

## Intara CX

Article number: 51460002

### LIGHT TECHNOLOGY

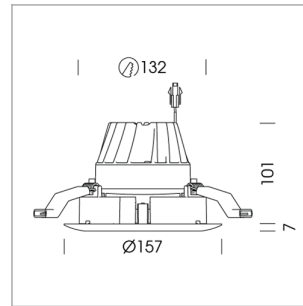
LED	COB
Light colour	835
Luminous flux	3880 lm
System power	34 W
Luminaire Efficiency	114 lm/W
Reflector	Flood
Beam angle	40°
Controller	On/Off

### LUMINAIRE

Rotation angle	350°
Swivel angle	+/- 30°
Weight	0.70 kg
Protection rating . class	IP 20 . III
Luminaire colour	black

### OPCJA

Trim in accordance with RAL / NCS, white trim, exchangeable reflector, honeycomb louvre, fire protection cover (up to 34 W)



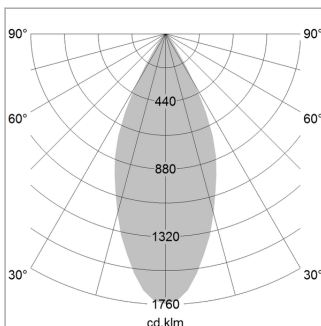
Recessed directional spot, flush with ceiling with LED, rated life of the LED L80/B10 > 50000 h, colour rendering index CRI > 80, chromaticity tolerance 2 SDCM (initial), reflector with circular light distribution pattern, reflector pure aluminium 99,99% in MIRO-Silver®, segmented and faceted, exchangeable reflector unit in high-sheen black plastic, with glass cover, luminaire head designed as heat sink die-cast aluminium, black anodized, rotation angle 350°, swivel angle +/- 30°; Ceiling plaster die-cast aluminum, trim plastic injection molding, black, separate driver unit

76500076 driver unit, On/Off, 220-240 V / 50-60 Hz, 850 mA, camera-compatible, up to 2.5 KV interference resistance, SELV, max. 34 luminaires per circuit (B16A fuse)

76500077 driver unit, DALI, 220-240 V / 50-60 Hz, 850 mA, with GST18/5-pin connector, incl. 5-conductor feed-through wiring, camera-compatible, up to 2.5 KV interference resistance, SELV, max. 24 luminaires per circuit (B16A fuse)

76500123 driver unit, Casambi, 220-240 V / 50-60 Hz, 850 mA, camera-compatible, up to 2.5 KV interference resistance, SELV, max. 23 luminaires per circuit (B16A fuse)

Note: All data are typical values. System features may change with product improvements due to technical advances. Errors excepted.



Distance (m)	Beam Diameter (m)	Illuminance E0(0°) (lx)
1.0	0.81	6827.3
2.0	1.62	1706.8
3.0	2.43	758.6
4.0	3.24	426.7
5.0	4.05	273.1

