

## Intara IC

Article number: 51560035

### LIGHT TECHNOLOGY

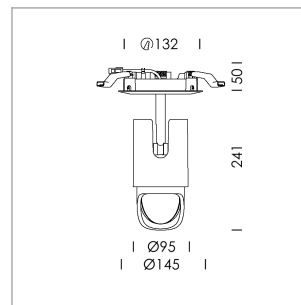
|                      |             |
|----------------------|-------------|
| LED                  | COB         |
| Light colour         | SpecialMeat |
| Luminous flux        | 1340 lm     |
| System power         | 23 W        |
| Luminaire Efficiency | 58 lm/W     |
| Reflector            | WallBeam    |
| Controller           | On/Off      |

### LUMINAIRE

|                           |             |
|---------------------------|-------------|
| Rotation angle            | 330°        |
| Swivel angle              | +/- 90°     |
| Weight                    | 1.2 kg      |
| Protection rating . class | IP 20 . III |
| Luminaire colour          | white       |

### OPCJA

RAL-colours, NCS-colours (powder coating or wet spraying) on inquiry, surface alloys on inquiry, honeycomb louver



Semi-recessed luminaire with LED, rated life of the LED L80/B10 50000 h (ambient 25°C), colour rendering index CRI > 82, chromaticity tolerance 2 SDCM (initial), reflector with asymmetrical light distribution pattern, primary reflector and kick reflector 99% pure aluminium in MIRO-Silver®, attachment with kick reflector to the ceiling approach of the light cone, exchangeable reflector unit in high-shine black plastic, with glass cover, rotation angle 330°, swivel angle +/- 90°; luminaire housing die-cast aluminium, powder-coated, white, separate driver unit

76500034 driver unit, On/Off, 220-240 V / 50-60 Hz, 600 mA, camera-compatible, up to 2.5 KV interference resistance, SELV, max. 34 luminaires per circuit (B16A fuse)

76500039 driver unit, DALI, 220-240 V / 50-60 Hz, 600 mA, with GST18/5-pin connector, incl. 5-conductor feed-through wiring, camera-compatible, up to 2.5 KV interference resistance, SELV, max. 24 luminaires per circuit (B16A fuse)

76500122 driver unit, Casambi, 220-240 V / 50-60 Hz, 600 mA, camera-compatible, up to 2.5 KV interference resistance, SELV, max. 23 luminaires per circuit (B16A fuse)

Note: All data are typical values. System features may change with product improvements due to technical advances. Errors excepted.

