

Intara IC

Article number: 51520016

LIGHT TECHNOLOGY

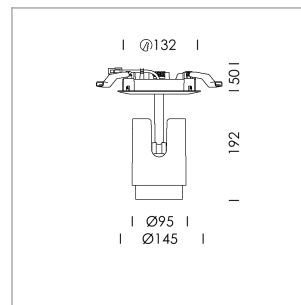
| | |
|----------------------|---------|
| LED | COB |
| Light colour | 927 |
| Luminous flux | 1600 lm |
| System power | 17 W |
| Luminaire Efficiency | 94 lm/W |
| Reflector | Spot |
| Beam angle | 20° |
| Controller | On/Off |

LUMINAIRE

| | |
|---------------------------|-------------|
| Rotation angle | 330° |
| Swivel angle | +/- 90° |
| Weight | 1.2 kg |
| Protection rating . class | IP 20 . III |
| Luminaire colour | silver |

OPCJA

RAL-colours, NCS-colours (powder coating or wet spraying) on inquiry, surface alloys on inquiry, honeycomb louver



Semi-recessed luminaire with LED, rated life of the LED L80/B10 50000 h (ambient 25°C), colour rendering index CRI > 90, chromaticity tolerance 2 SDCM (initial), 3D silicone lens to reduce the proportion of scattered light, rotation-symmetrical reflector with circular light distribution pattern, reflector pure aluminium 99,99% in MIRO-Silver®, segmented and faceted, exchangeable reflector unit in high-sheen black plastic, with glass cover, rotation angle 330°, swivel angle +/- 90°, luminaire housing die-cast aluminium, powder-coated, silver, separate driver unit

76500050 driver unit, On/Off, 220-240 V / 50-60 Hz, 400 mA, camera-compatible, up to 2.5 KV interference resistance, SELV, max. 34 luminaires per circuit (B16A fuse)

76500051 driver unit, DALI, 220-240 V / 50-60 Hz, 400 mA, with GST18/5-pin connector, incl. 5-conductor feed-through wiring, camera-compatible, up to 2.5 KV interference resistance, SELV, max. 24 luminaires per circuit (B16A fuse)

76500121 driver unit, Casambi, 220-240 V / 50-60 Hz, 400 mA, camera-compatible, up to 2.5 KV interference resistance, SELV, max. 35 luminaires per circuit (B16A fuse)

Note: All data are typical values. System features may change with product improvements due to technical advances. Errors excepted.

