

Intara SQ 175

Article number: 51170101

LIGHT TECHNOLOGY

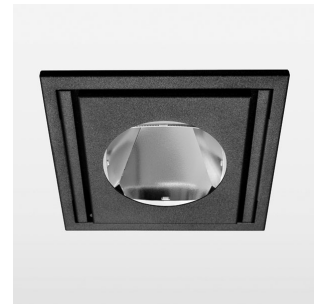
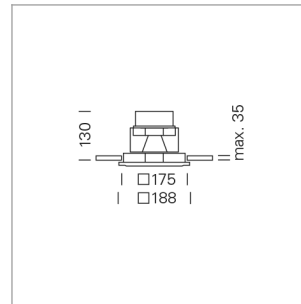
LED	COB
Light colour	Meat&Fish
Luminous flux	2940 lm
System power	47 W
Luminaire Efficiency	63 lm/W
Reflector	Spot
Beam angle	20°
Controller	On/Off

LUMINAIRE

Swivel angle	30°
Weight	1.9 kg
Protection rating . class	IP 20 . III
Luminaire colour	black

OPCJA

RAL-colours, NCS-colours (powder coating or wet spraying) on inquiry, surface alloys on inquiry, honeycomb louver

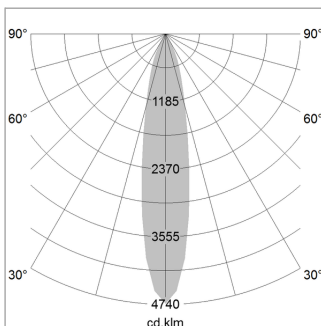


Recessed luminaire with LED, rated life of the LED L80/B10 > 50000 h, colour rendering index CRI > 80, chromaticity tolerance 3 SDCM (initial), reflector with circular light distribution pattern, swivel angle 30° luminaire housing sheet steel, powder-coated, black, separate driver unit

76500092 driver unit, On/Off, 220-240 V / 50-60 Hz, 1200 mA, camera-compatible, up to 2.5 KV interference resistance, SELV, max. 24 luminaires per circuit (B16A fuse)

76500093 driver unit, DALI, 220-240 V / 50-60 Hz, 1200 mA, with GST18/5-pin connector, incl. 5-conductor feed-through wiring, camera-compatible, up to 2.5 KV interference resistance, SELV, max. 30 luminaires per circuit (B16A fuse)

Note: All data are typical values. System features may change with product improvements due to technical advances. Errors excepted.



Distance (m)	Beam Diameter (m)	Luminous Flux (lm)
1.0 m	0.36	15337.6
2.0 m	0.72	3834.4
3.0 m	1.08	1704.2
4.0 m	1.44	958.6
5.0 m	1.80	613.5

Ø (m) E0(0°) [lx]

