

## Intara SQ 175

Article number: 51060111

### LIGHT TECHNOLOGY

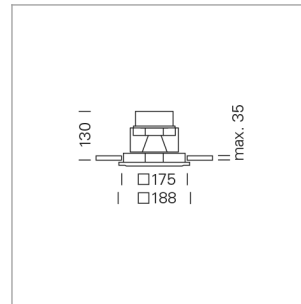
LED	COB
Light colour	Meat&Fish
Luminous flux	2270 lm
System power	34 W
Luminaire Efficiency	67 lm/W
Reflector	Flood
Beam angle	40°
Controller	On/Off

### LUMINAIRE

Swivel angle	30°
Weight	1.9 kg
Protection rating . class	IP 20 . III
Luminaire colour	white

### OPCJA

RAL-colours, NCS-colours (powder coating or wet spraying) on inquiry, surface alloys on inquiry, honeycomb louver

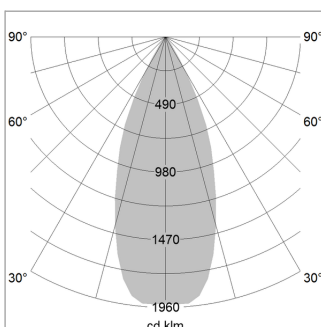


Recessed luminaire with LED, rated life of the LED L80/B10 > 50000 h, colour rendering index CRI > 70, chromaticity tolerance 2 SDCM (initial), reflector with circular light distribution pattern, reflector pure aluminium 99,99% in MIRO-Silver®, swivel angle 30° luminaire housing sheet steel, powder-coated, white, separate driver unit

76500076 driver unit, On/Off, 220-240 V / 50-60 Hz, 850 mA, camera-compatible, up to 2.5 KV interference resistance, SELV, max. 34 luminaires per circuit (B16A fuse)

76500077 driver unit, DALI, 220-240 V / 50-60 Hz, 850 mA, with GST18/5-pin connector, incl. 5-conductor feed-through wiring, camera-compatible, up to 2.5 KV interference resistance, SELV, max. 24 luminaires per circuit (B16A fuse)

Note: All data are typical values. System features may change with product improvements due to technical advances. Errors excepted.



Distance (m)	Beam Diameter (m)	Beam Area (lx)
1.0 m	0.73	4507.3
2.0 m	1.46	1126.8
3.0 m	2.19	500.8
4.0 m	2.92	281.7
5.0 m	3.65	180.3

Ø (m) E0(0°) [lx]

