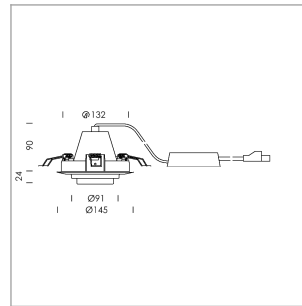


## Intara XR

Article number: 50870049

### LIGHT TECHNOLOGY

LED	COB
Light colour	BeCool
Luminous flux	2760 lm
System power	34 W
Luminaire Efficiency	81 lm/W
Reflector	Spot
Beam angle	20°
Controller	On/Off



### LUMINAIRE

Swivel angle	+/- 25°
Weight	0.69 kg
Protection rating . class	IP 20 . II
Luminaire colour	black

Recessed luminaire with LED, rated life of the LED L80/B10 50000 h (tambient 25°C), colour rendering index CRI > 96, chromaticity tolerance 2 SDCM (initial), rotation-symmetrical reflector with circular light distribution pattern, reflector pure aluminium 99,99% in MIRO-Silver®, segmented and faceted, 3D lens silicon to reduce the proportion of scattered light, die-cast aluminium, powder-coated, rotation angle, swivel angle +/- 25°, black,

### OPCJA

RAL-colours, NCS-colours (powder coating or wet spraying) on inquiry, surface alloys on inquiry, honeycomb louver

Inclusiv fix connected driver unit, 220-240 V~ / 50-60 Hz, max. 21 luminaires per circuit (B16A fuse)

Note: All data are typical values. System features may change with product improvements due to technical advances. Errors excepted.

